

**SECOP**

# SC15CNX.2 LBP Compressor R290 220-240V 50Hz

## General

Code number	104H8566
Approvals	EN 60335-2-34,CCC
Compressors on pallet	80

## Application

Application	LBP		
Frequency	Hz	50	60
Evaporating temperature	°C	-40 to -10	-
Voltage range	V	198 - 254	-
Max. condensing temperature continuous (short)	°C	55 (65)	-
Max. winding temperature continuous (short)	°C	125 (135)	-

## Cooling requirements

Frequency	Hz	50			60		
Application		LBP	MBP	HBP	LBP	MBP	HBP
32°C		F <sub>2</sub>	-	-	-	-	-
38°C		F <sub>2</sub>	-	-	-	-	-
43°C		F <sub>2</sub>	-	-	-	-	-
Remarks on application:							

## Motor

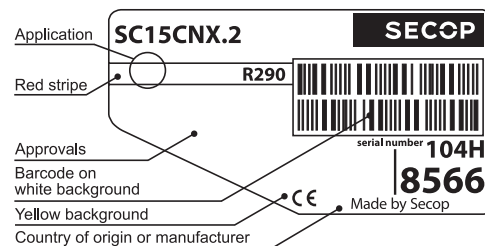
Motor type	CSIR		
LRA (rated after 4 sec. UL984), HST   LST	A	14.8	-
Cut in Current, HST   LST	A	14.8	-
Resistance, main   start winding (25°C)	Ω	5.0	13.7

## Design

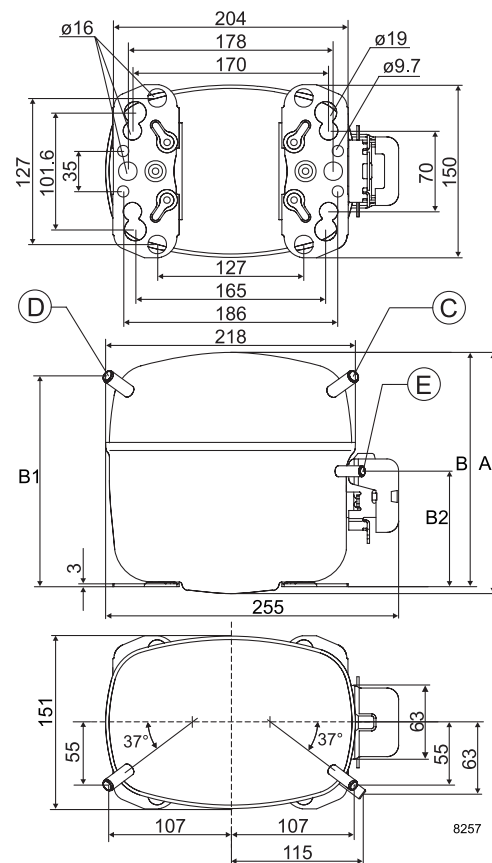
Displacement	cm <sup>3</sup>	15.28
Oil quantity (type)	cm <sup>3</sup>	550 (polyolester)
Maximum refrigerant charge	g	150
Free gas volume in compressor	cm <sup>3</sup>	1410
Weight without electrical equipment	kg	13.1

## Dimensions

Height	mm	A	209
		B	203
		B1	183
		B2	100
Suction connector	location/I.D. mm   angle	C	8.2   37°
	material   comment		Copper   Rubber plug
Process connector	location/I.D. mm   angle	D	6.2   37°
	material   comment		Copper   Rubber plug
Discharge connector	location/I.D. mm   angle	E	6.2   37°
	material   comment		Copper   Rubber plug
Oil cooler connector	location/I.D. mm   angle	F	-
	material   comment		-
Connector tolerance	I.D. mm		±0.09
Remarks:			



- S = Static cooling normally sufficient
- O = Oil cooling
- F<sub>1</sub> = Fan cooling 1.5 m/s (compressor compartment temperature equal to ambient temperature)
- F<sub>2</sub> = Fan cooling 3.0 m/s necessary
- SG = Suction gas cooling normally sufficient
- = not applicable in this area



**EN 12900 Household (CECOMAF)\***  $t_c = 45^\circ\text{C}$ , 220V, 50Hz, fan cooling  $F_2$

Evap. temp. in °C	-45	-40	-35	-30	-25	-23.3	-20	-15	-10	-6.7	-5	0	5	7.2	10	15	20
Capacity in W		252	332	434	560	609	714	900	1120								
Power cons. in W		308	351	396	445	462	497	552	610								
Current cons. in A		2.41	2.52	2.65	2.80	2.86	2.98	3.18	3.41								
COP in W/W		0.82	0.95	1.09	1.26	1.32	1.44	1.63	1.83								

**ASHRAE LBP\***  $t_c = 43.3^\circ\text{C}$ , 220V, 50Hz, fan cooling  $F_2$

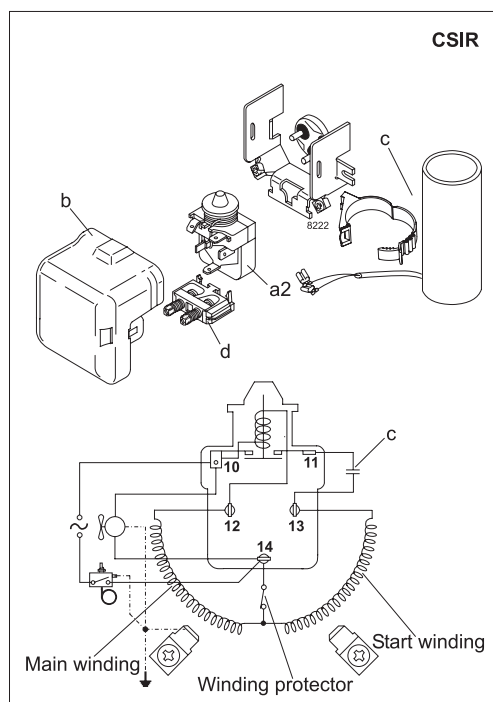
Evap. temp. in °C	-45	-40	-35	-30	-25	-23.3	-20	-15	-10	-6.7	-5	0	5	7.2	10	15	20
Capacity in W		286	376	491	633	688	806	1014	1261								
Power cons. in W		309	352	397	445	462	495	548	604								
Current cons. in A		2.42	2.52	2.64	2.79	2.85	2.96	3.16	3.38								
COP in W/W		0.93	1.07	1.24	1.42	1.49	1.63	1.85	2.09								

**EN 12900 Household (CECOMAF)**  $t_c = 55^\circ\text{C}$ , 220V, 50Hz, fan cooling  $F_2$

Evap. temp. in °C	-45	-40	-35	-30	-25	-23.3	-20	-15	-10	-6.7	-5	0	5	7.2	10	15	20
Capacity in W			281	362	464	505	592	749	938								
Power cons. in W			366	408	457	475	512	574	643								
Current cons. in A			2.53	2.70	2.89	2.96	3.11	3.35	3.61								
COP in W/W			0.77	0.89	1.02	1.06	1.16	1.31	1.46								

**ASHRAE LBP**  $t_c = 54.4^\circ\text{C}$ , 220V, 50Hz, fan cooling  $F_2$

Evap. temp. in °C	-45	-40	-35	-30	-25	-23.3	-20	-15	-10	-6.7	-5	0	5	7.2	10	15	20
Capacity in W			345	445	573	624	733	928	1163								
Power cons. in W			363	406	455	473	510	572	641								
Current cons. in A			2.53	2.69	2.88	2.95	3.10	3.34	3.60								
COP in W/W			0.95	1.10	1.26	1.32	1.44	1.62	1.82								



Accessories for	SC15CNX.2	Figure	Code number	Test conditions	EN 12900/ CECOMAF(*)	ASHRAE LBP(*)
PTC starting device	6.3 mm spade connectors	-	-	Condensing temperature	55°C (*45°C)	54.4 (*43.3°C)
	4.8 mm spade connectors		-	Ambient temperature	32°C	32°C
Starting relay	6.3 mm spade connectors	a2	117U7005	Suction gas temperature	32°C	32°C
Cover		b	103N2009	Liquid temperature	no subcooling	32°C
Start. capacitor 80 µF	6.3 mm spade connectors	c	117U5017	<b>Mounting accessories</b>		
Cord relief		d	103N1004	Bolt joint for one comp.	Ø: 16 mm	118-1917
Protection screen for PTC		-	-	Bolt joint in quantities	Ø: 16 mm	118-1918
				Snap-on in quantities	Ø: 16 mm	118-1919

Secop accepts no responsibility for possible errors in catalogs, brochures, and other printed material. Secop reserves the right to alter its products without notice. This also applies to products already on order provided that such alterations can be made without subsequential changes being necessary to specifications already agreed. All trademarks in this material are the property of the respective companies. Secop and the Secop logotype are trademarks of Secop GmbH. All rights reserved. [www.secop.com](http://www.secop.com)